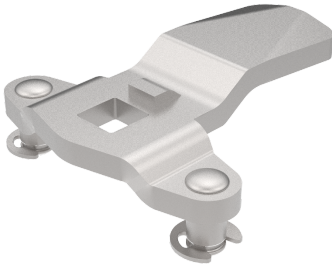


CAME À TROIS POINTS VISION INOX 304



Cames à trois points avec saillie pour poignées pivotantes. Course : 20 mm. Fournies avec des circlips. Dans le dessin et le tableau ci-dessous, A est la face intérieure au point d'engagement de la came.

MATÉRIAU

Cam: Acier inoxydable 304

RELATED PRODUCTS

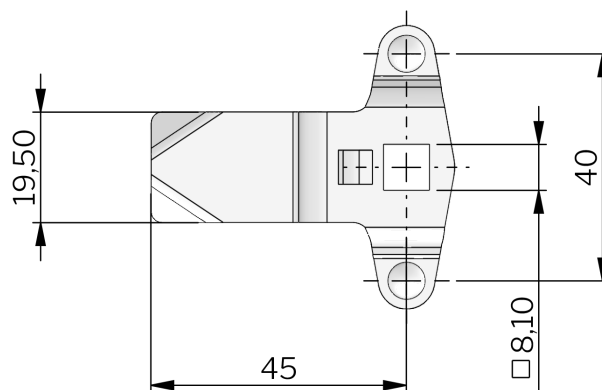
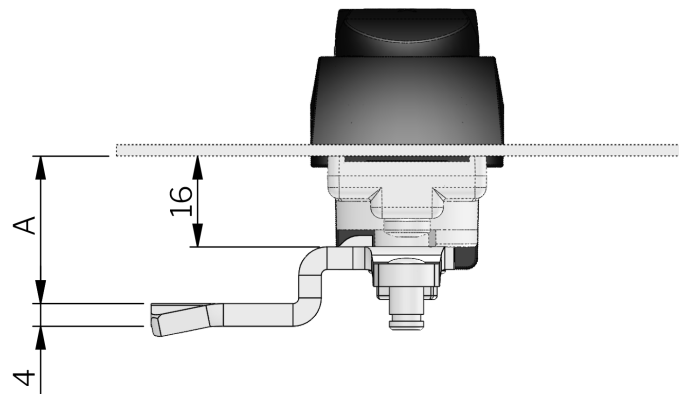
Other materials: 1-008.51

Similar products: 1-008.51

Use the Index Code at industrilas.com

TESTS & STANDARDS

Please note that all cams with dimension A is less than 16 mm can only be used in combination with swing handles (Product ID 1-010 and 1-020).



P/N	Description	Matériau	A
2330S01P	3-point cam	Acier inoxydable 304	2
2330S02P	3-point cam	Acier inoxydable 304	4
2330S03P	3-point cam	Acier inoxydable 304	6
2330S04P	3-point cam	Acier inoxydable 304	8
2330S05P	3-point cam	Acier inoxydable 304	10
2330S07P	3-point cam	Acier inoxydable 304	12
2330S08P	3-point cam	Acier inoxydable 304	14
2330S09P	3-point cam *	Acier inoxydable 304	16
2330S10P	3-point cam	Acier inoxydable 304	18
2330S11P	3-point cam	Acier inoxydable 304	20
2330S12P	3-point cam	Acier inoxydable 304	22
2330S14P	3-point cam	Acier inoxydable 304	24
2330S15P	3-point cam	Acier inoxydable 304	26
2330S16P	3-point cam	Acier inoxydable 304	28
2330S17P	3-point cam	Acier inoxydable 304	30
2330S18P	3-point cam	Acier inoxydable 304	32
2330S20P	3-point cam	Acier inoxydable 304	34
2330S21P	3-point cam	Acier inoxydable 304	36
2330S22P	3-point cam	Acier inoxydable 304	38
2330S23P	3-point cam	Acier inoxydable 304	40
2330S24P	3-point cam	Acier inoxydable 304	42
2330S27P	3-point cam	Acier inoxydable 304	48
2330S28P	3-point cam	Acier inoxydable 304	46
2330S29P	3-point cam	Acier inoxydable 304	44

* P/N 2330S09P with straight cam.